

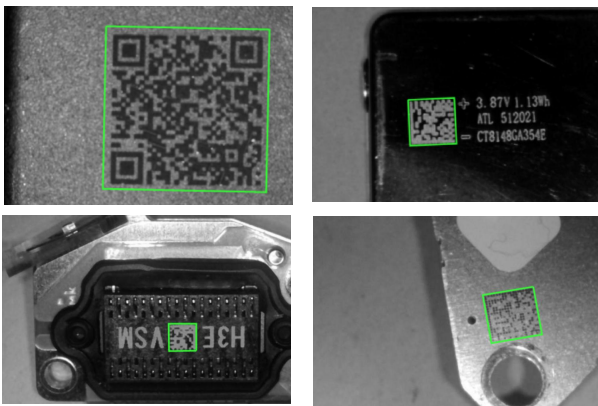
TINY Series

Fixed-Mount Barcode Reader

TINY series is a ultra compact fixed-mount barcode reader, which is HEORJE 6th generation product launched in 2022, combining HEROJE's patented lighting design and 5th generation algorithm. Two group controllible lighting and customized lens deliver optimal image formation for codes on high-reflective, noisy, shiny, round or specular surfaces. Built-in 2-Core processor makes reading fast-moving 1D linear and 2D codes simple. It's ideal barcode reader for electronics, automotive, new-energy, F&B, FMCG industries applications.

Optimal image formation for any codes

Thanks to a 1.3MP high resolution sensor and innovative lighting solutions, make it read codes on high-reflective, noisy, shiny, round or specular surfaces more simple.



2-core high-speed computing power

TINY series barcode reader has a built-in 2-core high-speed processor enables to run algorithms and processes in parallel, delivers 2 time the decoding performance of conventional readers. And ensures high read rate of 1D, 2D codes. Excellent for high speed applications and capable of reading up to 2 mils code resolution.

Conventional barcode readers (single core, long decoding time)



TINY series (2-core, dramatically reduce decoding time)



Group controllable lighting

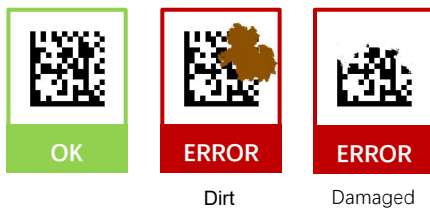
Two-group controllable high-power red and white LEDs lighting is suitable for long range reading, and effective in DPM code reading on flat surface with matching flaw.



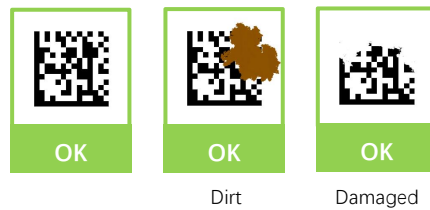
ModeC™ algorithms improve reading ability

TINY series barcode reader features the innovative ModeC™ algorithm which is designed for reading 2D codes (QR and Datamatrix codes) which are significantly damaged, dirty or incomplete. Supplement cell information and read, can be improved the reading rate while ensuring data integrity.

Conventional readers*



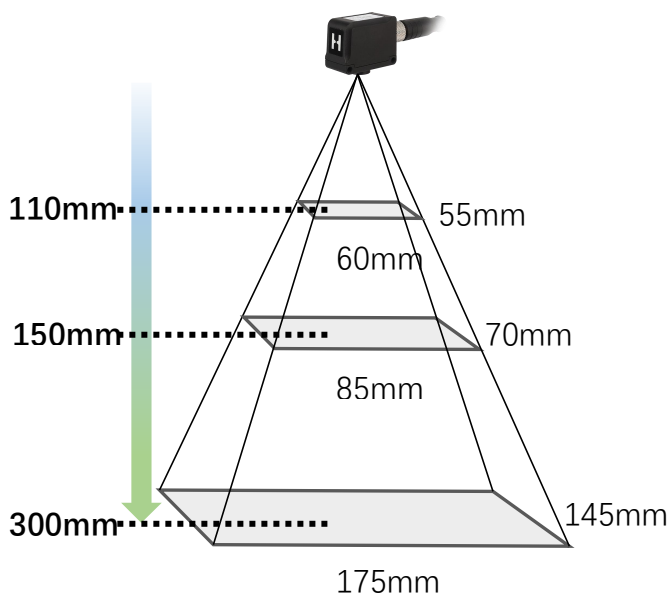
TINY series readers



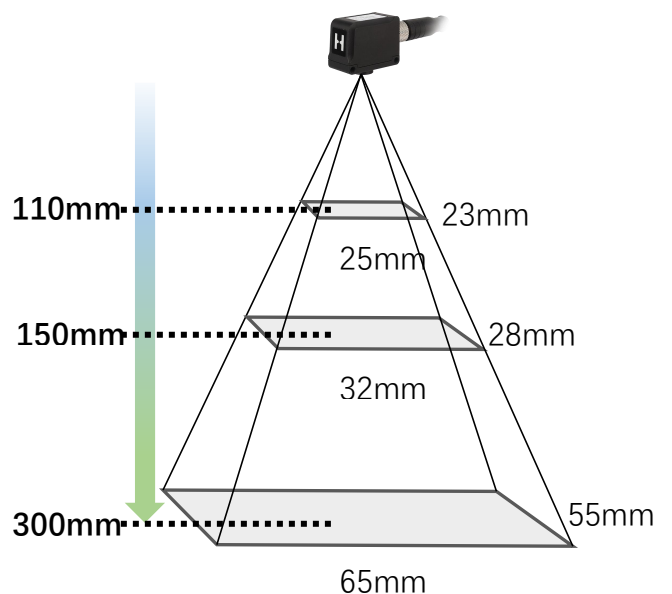
Manual focus feature, flexible reading distance

TINY series barcode reader features with manual-focus, can be used to realize flexible focus adjustment under different code reading distance. Easily handle all kinds of complex application scenarios.

TINY-S-130W



TINY-S-130



Application Cases

Electronics



Printed Circuit Board



Solar Wafer

Pharmaceutical



Medicine Bottle

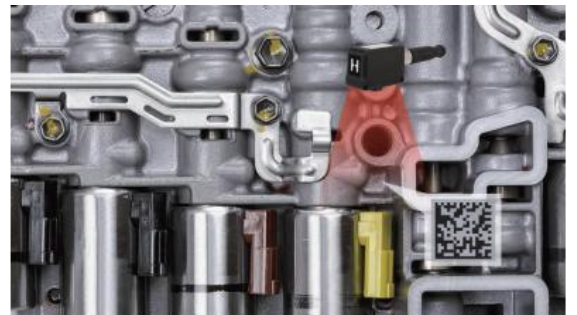


Test Tube

Automotive



Auto Parts



Hydraulic Valve



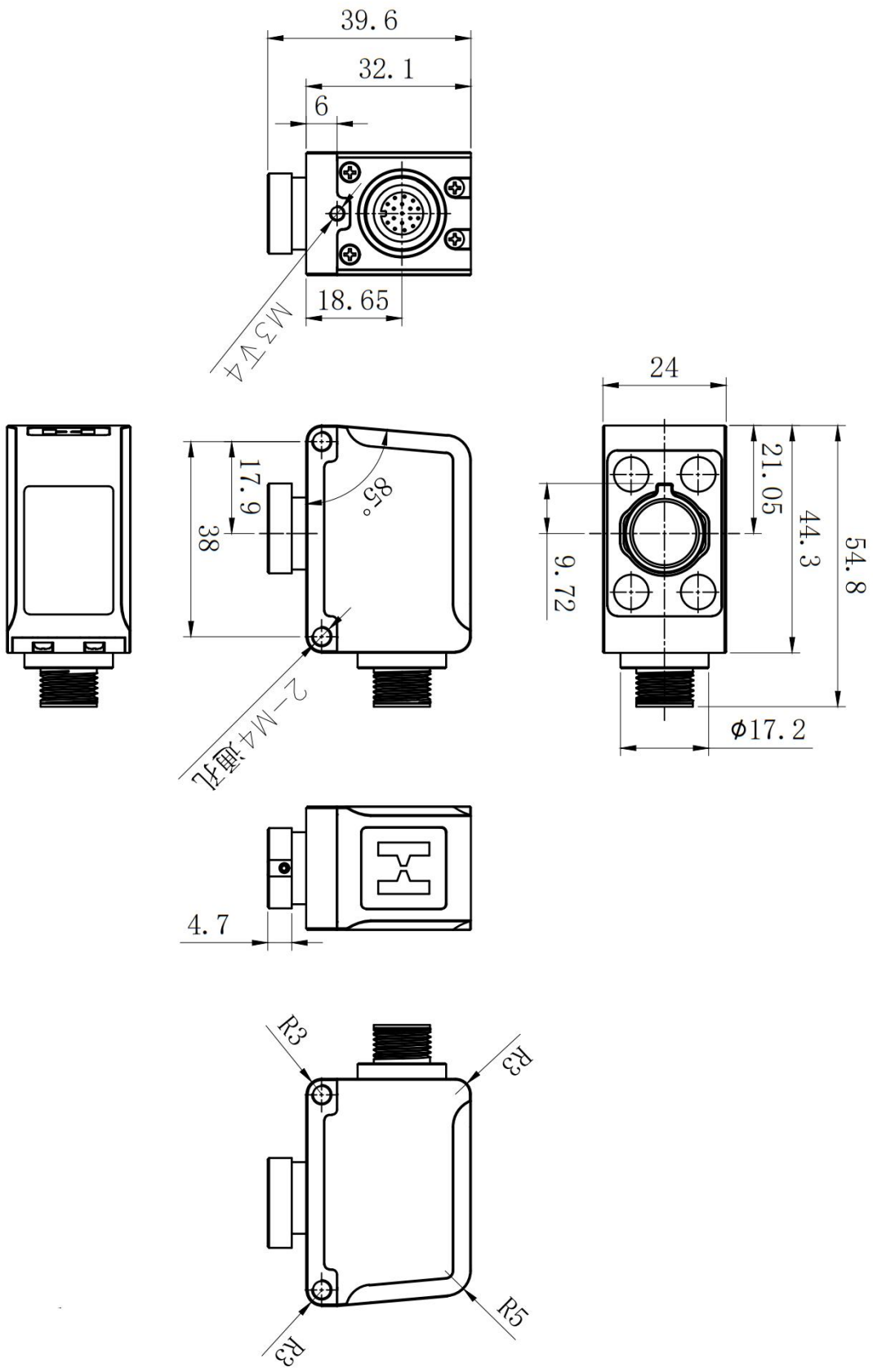
Engine Cylinder



Auto Repair Tools

Dimensions

(Unit: mm)







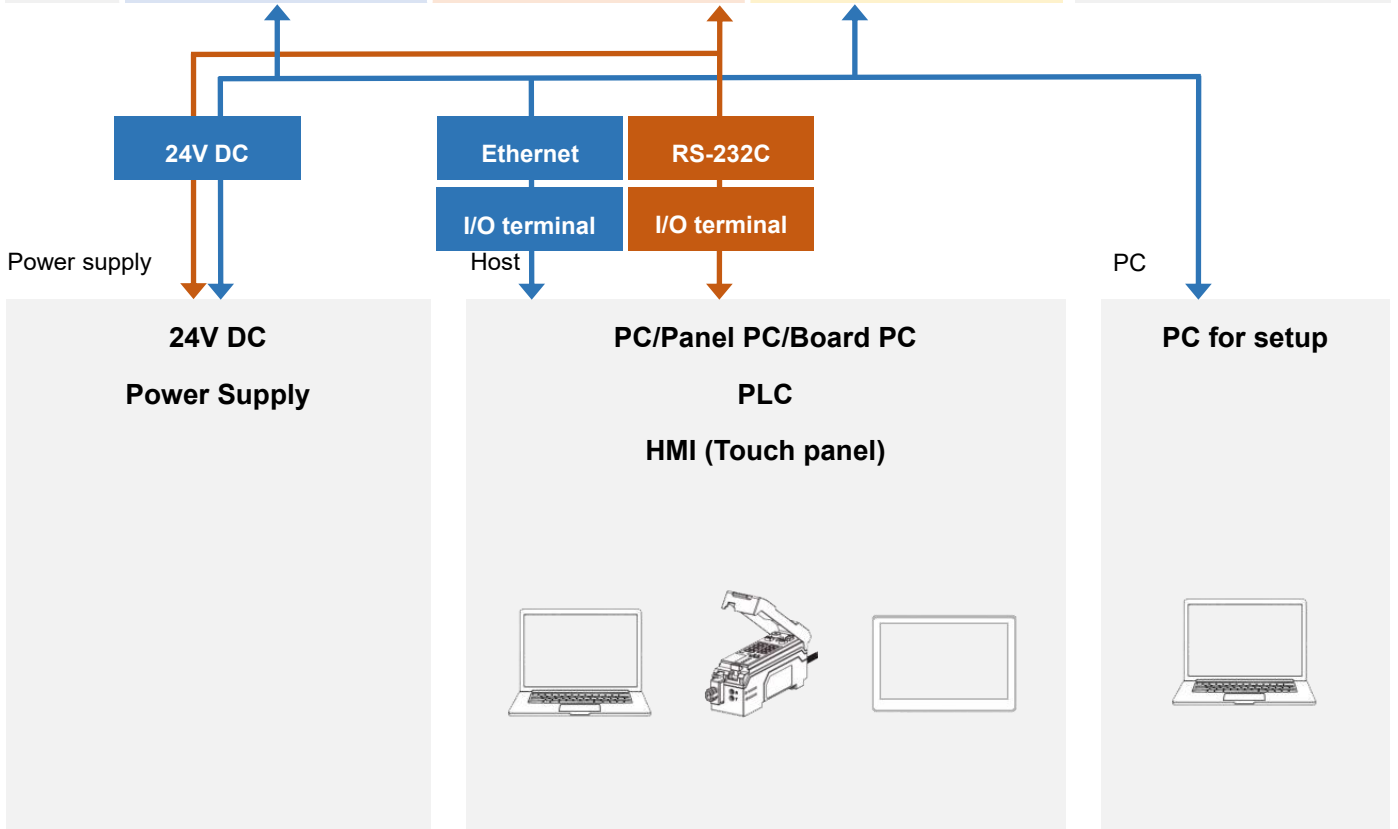
Configuration Diagram

TINY Series



Cable & Power

	I/O Ethernet cable	Serial cable	Ethernet cable	Power
	IO, Power, Communication 100M	Power, Communication 9-PIN	Power, Communication 100M	Power supply 24V DC
5 m	CBA-HJ-A17T5N40PW2C7	CBA-HJ-A17T2B90PW2C7	CBA-HJ-A17D-5N040PWR	WTA36- 2401500-C
10 m	CAB-HJ-A17TAN40PW2C7	/	CAB-HH-A17D-AN040PWR	
				



TECHNICAL PARAMETERS

Model		TINY-S-130	TINY-S-130W	
Type		Long-range type	Wider-field type	
Light Receiver	Number of pixels	1280 x 1080		
	Sensor	CMOS Image Sensor (Global shutter)		
Light emitter	Light Source	Multi-group Controllable High intensity LED (Red Light, White Light)		
	Pointer light source	/		
Focus adjustment		Manuel Focus		
Reading specifications	Supported symbols	1D codes	EAN13,EAN8,UPC-A,UPC-E, Code128,Code39,Code93,Code32,I25,D25,Code11,MIS,DataBar,CodaBar, Pharmacode etc	
		2D codes	QR, MicroQR, PDF417, MicroPDF417, DataMatrix, GS1 DataMatrix etc	
	Minimum resolution	1D codes	0.0762 mm	0.0762 mm
		2D codes	0.127 mm	0.127 mm
	Reading contrast		15%	
	Reading depth of field		20 mm to 1200 mm	20 mm to 800 mm
	Reading field of view		65 x 55 mm (Typical example at 300mm)	170 x 140 mm (Typical example at 300mm)
I/O specifications	Control input	Number of inputs	2 (Default cable accessories is 1 input)	
		Input type	1 IN (Optocoupler isolation)	
		Maximum rating	26.4 V	
		Minimum ON voltage	5 V	
		Maximum OFF current	5 uA or lower	
	Control output	Number of outputs	1 (Default cable accessories is 1 output)	
		Output type	1 OUT (Optocoupler isolation)	
		Maximum rating	40 V	
		Maximum load current	500 mA	
		Leakage current when OFF	100 mA or lower	
		Residual voltage when ON	0.13 V or lower	
	Ethernet	Communication standard	IEEE802.3 100BASE-TX	
		Supported protocols	Raw, Modbus-TCP, TCP, UDP	
	Serial communication	Communication standard	RS-232C	
		Supported speed	2400, 4800, 9600, 14400, 19200, 38400, 57600, 115200 bps	
		Supported protocols	Raw, Modbus-RTU	
	USB	Communication standard	USB2.0High Speed, USB 1.1 Full Speed	
		Supported protocols	USB HID, USB CDC	
	Environmental resistance	Enclosure rating		IP64
Operating ambient temperature		-5°C to +65 °C		
Ambient storage temperature		-20°C to +70°C		
Operating ambient humidity		35%RH to 85% RH (No condensation)		
Ambient storage humidity		35%RH to 85% RH (No condensation)		
Ambient light		Sunlight: 10000 lux, Incandescent lamp: 6000 lux, Fluorescent lamp: 2000 lux		
Operating environment		No dust or corrosive gas present		
Vibration resistance		10 to 55 Hz Double amplitude 0.75 mm, 3 hours each in X, Y and Z directions		
Ratings	Power voltage		12 V to 24 V DC	
	Electric current consumption		Approx. 800 mA	
Dimension		54.8 x 24 x 45.3mm	54.8 x 24 x 39.6mm	
Weight		78 g	71.1 g	

HEROJE Co., Ltd
www.heroje.cn
 No.2 ChuangYe Road, Zone 28,
 Bao'an, Shenzhen, China

Asia Pacific
 asia_pacific@heroje.cn

The Americas
 americas@heroje.cn

Europe
 europe@heroje.cn

PRC Technologies Corp., Ltd.
 ลาดพร้าว 101 กรุงเทพฯ 10240
 โทร: 02 530 1714, 02 932 1711 มือถือ: 086 360 8600
 อีเมล : contact@prctech.net
 LINE ID1 : prctec-info, LINE ID2 : prctec-center