

ELECTRONIC HEAT DETECTOR TMP2



XEK 20 ATEX 0021 X



0068-CPR-009/2014

TECHNICAL SPECIFICATIONS

Sensor	Semi-conductor
Alarm Range	-20°C to +110°C
Code of Protection	ATEX zone 1/21
Protection Degree	IP66 (Probe IP67)
Location	Hazardous & Industrial areas

Environmental Specifications

EMC	According EN 50130-4:2011 + A1:2014
Storage temperature	-40 to 135 °C
Operating temperature	-20 to 125 °C
Humidity range	90% R.H. n.c.

Electrical Specifications

Supply Voltage	12-24 Vdc (nominal)
Supply current	60 uA in normal conditions
Supply current in alarm (without EOL Resistor):	
Standard Version:	12mA ±3mA @ 24 Vdc
"H" Version:	20mA ±3mA @ 24 Vdc
"HH" Version:	25 to 31mA ±3mA @ 24Vdc
Supply fuse	50 mA
Connection	2 conductors shielded cable

Mechanical Specifications

Materials	Housing: Aluminium alloy / S.S. (opt.) Probe: Chrome plated brass / S.S. (opt.)
Overall dimensions	ATEX version: 160x85x75 mm DUST version: 203x95x60 mm
Weight:	ATEX version: 410 g. DUST version: 400 g.
Mounting	2x6 mm holes
Termination Ex d	Cable Holder
Probe attachment	1/2" NPT
Junction box attachment	ATEX version: 1/2" NPT DUST version: 2 x M20 Cable Holders (Cables diameter 6 to 13 mm)
Probe Ext. connection	1/2" GAS ISO 228 B

FEATURES

- Interactive
- To be used in industrial hazardous areas
- Protective PCB coating
- Short circuit isolator
- Conforms to EMC directive
- Immune to electromagnetic disturbance
- High reliability due to Self-diagnosis procedure
- Programmable LED for status indication
- Two wires technology
- Low power consumption
- Temperature set-point levels from **-20°C up to 110°C**.
- Configurable classes A1, A2, B, C, D
- Different output configurations. Static and/or Rate of Rise
- Proven technology
- Not influenced by dust, humidity, exhaust gases.
- Tested with internal climatic tunnel on production line
- shock and vibration resistant

APPLICATIONS

- Commercial and Industrial plants
- Hazardous Areas (Classified Zones 1/21 and 2/22)
- Suitable in dangerous environmental conditions such as in presence of corrosive elements or condensing steams
- Suitable to be used with all Conventional Fire Detection Systems

Especially suitable for:

- Refineries and Hazardous material stores
- Extraction ducts
- Boiler rooms
- Workshops
- Oil & Gas plants
- Pumping rooms
- Refrigeration cells

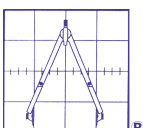
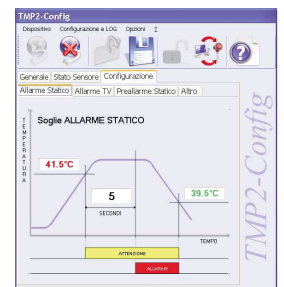
Certificates:

ATEX II 2GD Ex db tb IIC IIIC T6 T85°C
ATEX II 2GD Ex db tb IIC IIIC T4 T135°C
EN54-5:2017+A1:2018

TMP2-Config":

NEW diagnostic and configuration software for:

- Monitoring of sensors and detector functions
- Alarm Temperature Levels setting
- **Temperature Class setting according to EN54-5**
- Static or Rate of Rise functionality setting
- LED functioning mode setting
- Alarm Status setting (Latched or Reflex)
- Service time counter
- Number of events counter
- General information: sensor status, reset, number of power ON and power OFF




Copyright OGGIONI S.r.l.

PRC Technologies Corporation Ltd.
TEL : 02 530 1714 MOBILE : 086 360 8600 E-MAIL : contact@prctech.net
LINE ID1 : prctec-info LINE ID2 : prctec-center

CONFIGURATIONS


Model	Box Type	Temperature Class	Mode	Led Status	Alarm config.
TMP2		<ul style="list-style-type: none"> — A1 = Static alarm 54-65°C — A2 = Static alarm 54-70°C — B = Static alarm 69-85°C — C = Static alarm 84-100°C — D = Static alarm 99-115°C 	<ul style="list-style-type: none"> — R = Static & Rate of Rise — S = Static 	<ul style="list-style-type: none"> — 1 = OFF in normal condition ON in Alarm condition — 2 = PULSE in normal condition OFF in Fault condition ON in Alarm condition 	<ul style="list-style-type: none"> — M = Manual Reset — A = Auto Reset
<ul style="list-style-type: none"> J = Atex 1 way 1/2" connection box T = Atex 2 ways T 1/2" connection box JO = Atex 1 way connection box with glass TO = Atex 2 ways T connection box with glass D = Aluminium housing IP66 P = Only probe without housing 					

Example of **J** or **T** box




Atex certified
zones 1/21 & 2/22

Example of **JO** or **TO** box



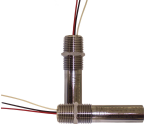
Atex certified zones 1/21 & 2/22
EN54-5 certified

Example of **D** box

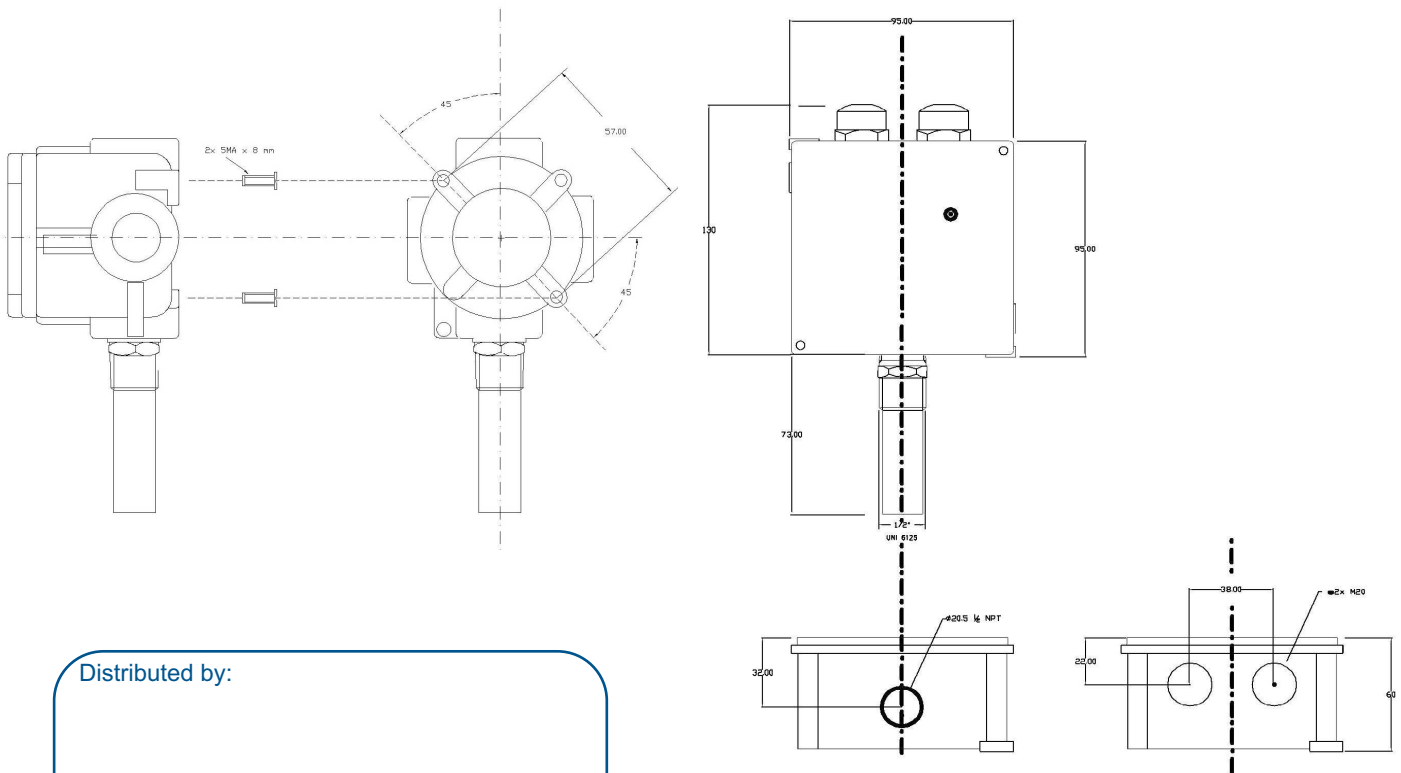


EN54-5 certified

Example of **P** (Probe)



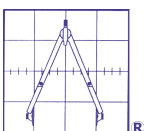
Example of product code creation:
 Heat detector ATEX certified T-box with glass, Temp. class C with alarm intervention at 90°C static with pulse LED and Auto Reset alarm:
 Code: **TMP2-TO-C90S2A**
 Heat detector Dust box, Temp. class A2 with alarm intervention at 57°C Rate of Rise with OFF LED in normal condition and Auto Reset alarm:
 Code: **TMP2-D-A257R1A**



Distributed by:

Copyright OGGIONI S.r.l.

OGGIONI S.r.l. reserves the right to change published specifications and designs without prior notice.



PRC Technologies Corporation Ltd.
TEL : 02 530 1714 MOBILE : 086 360 8600 E-MAIL : contact@prctech.net
LINE ID1 : prctec-info LINE ID2 : prctec-center