

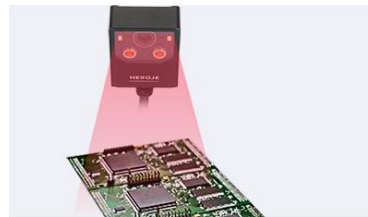
HM270 Series

Fixed-Mount Barcode Reader

HM270 series fixed-mount barcode reader is the 6th generation reader of HEROJE, which employ the latest algorithms and advanced multi-group illumination technology, deliver high-rate of reading well-marked and high-density 1D linear and 2D codes, as well as low-contrast DPM codes. HM270 series is an ideal barcode reader for integration, electronics and manufacturing industry.

Advanced image formation

Thanks to a 1.0MP high resolution sensor and innovative lighting solutions, make it read codes on reflective, noisy, shiny, round or specular surfaces more simple.



Fits into small application spaces

HM270 series is compact design to fit in the tightest spaces. And with IP54 rated housing, it can also handle any harsh application environments.

Flexible communication interfaces

Allowing to meet specific communication needs, HM270 series have RS-232 and Ethernet options. And support industrial protocols, such as Ethernet/IP, Modbus, TCP/IP, UDP and FTP.

Group controllable lighting

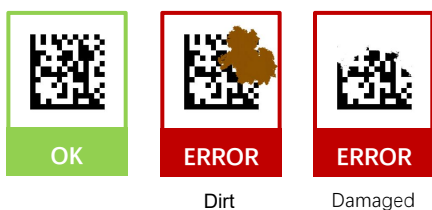
Two-group controllable high-power red and white LEDs lighting is suitable for effective in DPM code reading on flat surface with matching flaw.



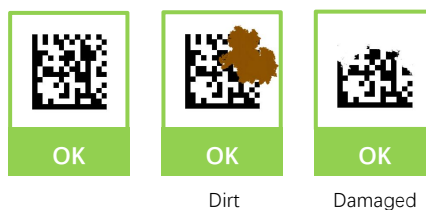
ModeC™ algorithms improve reading ability

HM270 series barcode reader features the innovative ModeC™ algorithm which is designed for reading 2D codes (QR and Datamatrix codes) which are significantly damaged, dirty or incomplete. Supplement cell information and read, can be improved the reading rate while ensuring data integrity.

Conventional readers*



TINY series readers

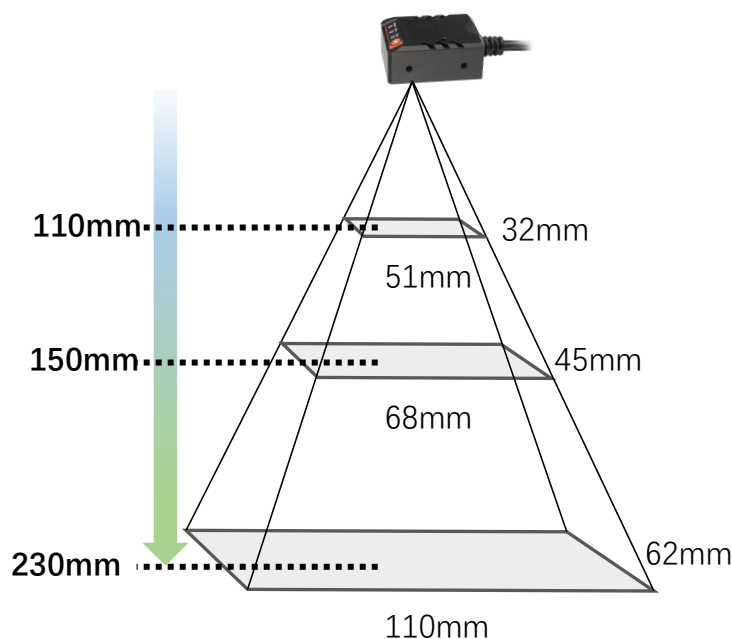


FOV/DOF

(Unit: mm)

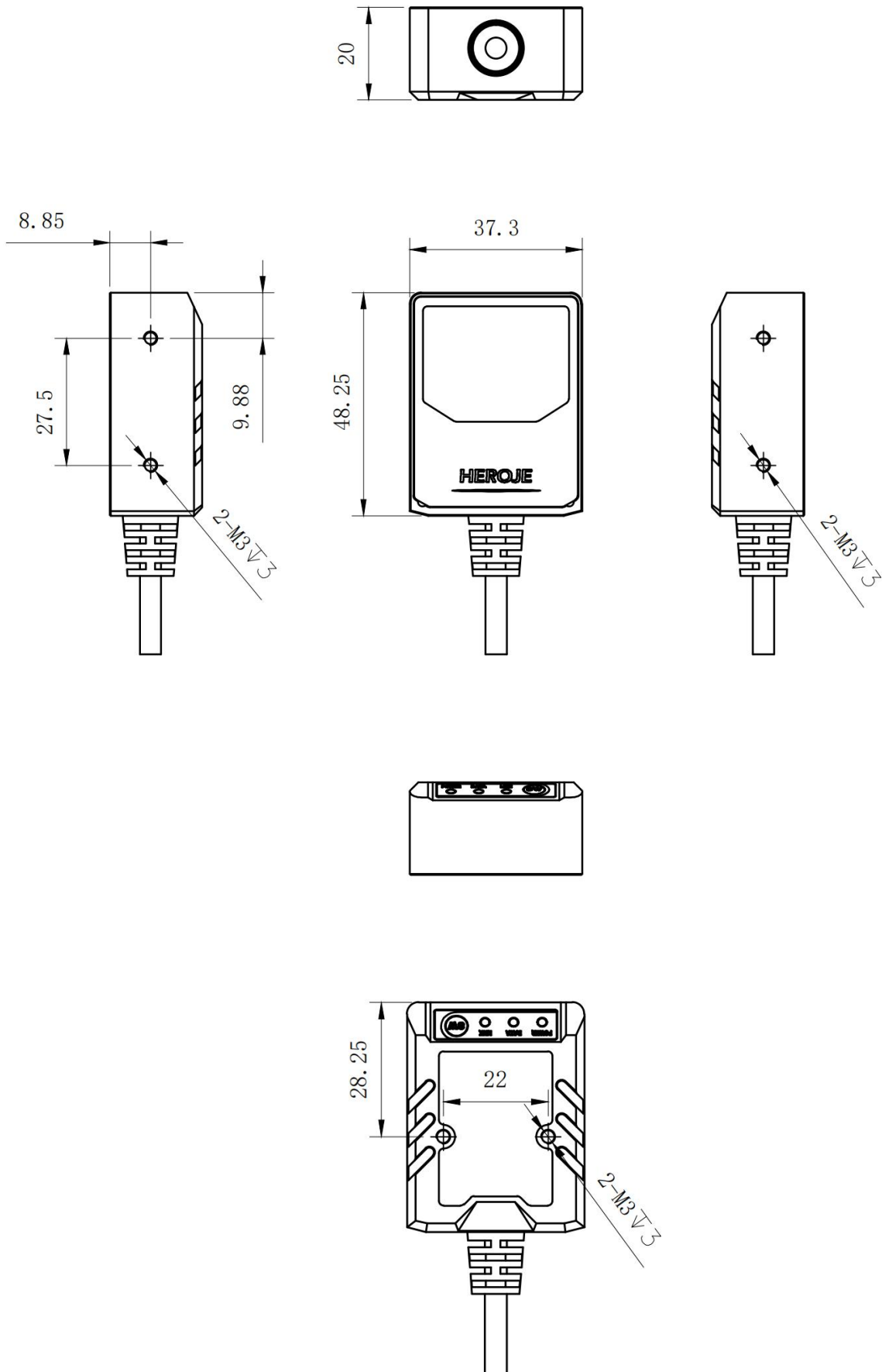
Minimum resolution		Unit(mm)	
Distance	1D	2D	
50	0.082	0.082	
110	0.082	0.14	
140	0.082	0.14	
150	0.082	0.14	
230	0.082	0.14	

Field of View			Unit(mm)
Distance	Height	Width	
110	51	32	
140	65	40	
150	68	45	
230	110	62	



Dimensions

(Unit: mm)







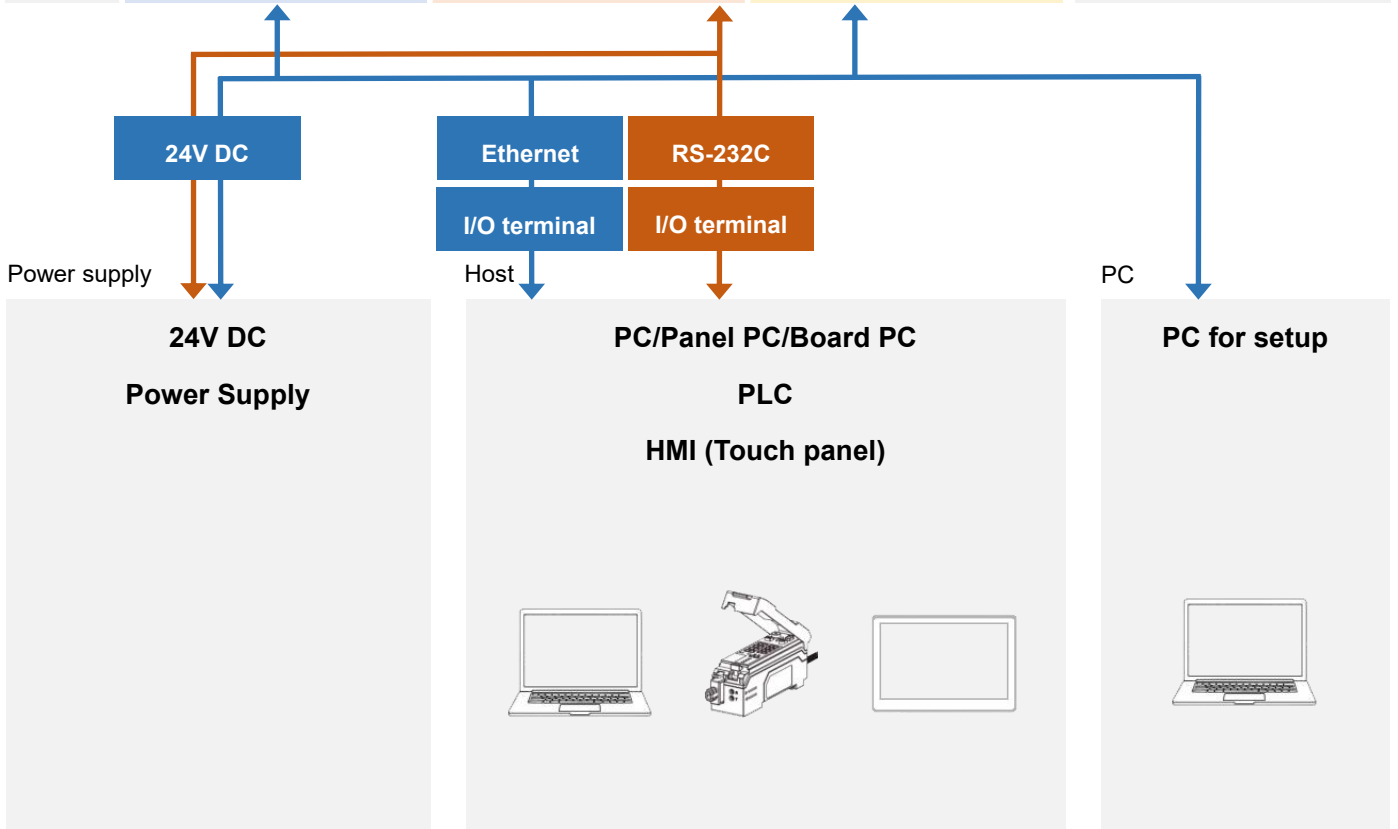
Configuration Diagram

HM270 Series



Cable & Power

	I/O Ethernet cable	Serial cable	Ethernet cable	Power
	IO, Power, Communication 100M	Power, Communication 9-PIN	Power, Communication 100M	Power supply 24V DC
5 m	CBA-HJ-A17T5N40PW2C7	CBA-HJ-A17T2B90PW2C7	CBA-HJ-A17D-5N040PWR	WTA36- 2401500-C
10 m	CAB-HJ-A17TAN40PW2C7	/	CAB-HH-A17D-AN040PWR	
				



TECHNICAL PARAMETERS

Model		HM270-S-100		
Type		Standard		
Light Receiver	Number of pixels	1280 x 800		
	Sensor	CMOS Image Sensor		
Light emitter	Light Source	Multi-group Controllable High intensity LED (Red Light, White Light)		
	Pointer light source	High Intensity Green LEDs		
Focus adjustment		Fixed Focus		
Reading specifications	Supported symbols	1D codes	EAN13,EAN8,UPC-A,UPC-E, Code128,Code39,Code93,Code32,I25,D25,Code11 etc	
		2D codes	QR, MicroQR, DataMatrix, GS1 DataMatrix etc	
	Minimum resolution	1D codes	0.127 mm	
		2D codes	0.178 mm	
	Reading contrast		15%	
	Reading depth of field		30 mm to 230 mm	
	Reading field of view		68x45 mm (Typical example at 150mm)	
I/O specifications	Control input	Number of inputs	1 (Default cable accessories is 1 input)	
		Input type	1 IN (Optocoupler isolation)	
		Maximum rating	26.4 V	
		Minimum ON voltage	5 V	
		Maximum OFF current	5 uA or lower	
	Control output	Number of outputs	1 (Default cable accessories is 1 output)	
		Output type	1 OUT (Optocoupler isolation)	
		Maximum rating	40 V	
		Maximum load current	500 mA	
		Leakage current when OFF	100 mA or lower	
		Residual voltage when ON	0.13 V or lower	
	Ethernet	Communication standard	IEEE802.3 100BASE-TX	
		Supported protocols	Raw, Modbus-TCP, TCP, UDP	
	Serial communication	Communication standard	RS-232C	
		Supported speed	2400, 4800, 9600, 14400, 19200, 38400, 57600, 115200 bps	
		Supported protocols	Raw, Modbus-RTU	
	USB	Communication standard	USB2.0High Speed, USB 1.1 Full Speed	
		Supported protocols	USB HID, USB CDC	
	Environmental resistance	Enclosure rating		IP54
Operating ambient temperature		-5°C to +65 °C		
Ambient storage temperature		-20°C to +70°C		
Operating ambient humidity		35%RH to 85% RH (No condensation)		
Ambient storage humidity		35%RH to 85% RH (No condensation)		
Ambient light		Sunlight: 10000 lux, Incandescent lamp: 6000 lux, Fluorescent lamp: 2000 lux		
Operating environment		No dust or corrosive gas present		
Vibration resistance		10 to 55 Hz Double amplitude 0.75 mm, 3 hours each in X, Y and Z directions		
Ratings	Power voltage		12 V to 24 V DC	
	Electric current consumption		350 mA	
Dimension		48.25 x 37.3 x 20mm		
Weight		118.5 g		

HEROJE Co., Ltd
www.heroje.cn
 No.2 ChuangYe Road, Zone 28,
 Bao'an, Shenzhen, China

Asia Pacific
 asia_pacific@heroje.cn

The Americas
 americas@heroje.cn

Europe
 europe@heroje.cn

PRC Technologies Corp., Ltd.
 ลาดพร้าว 101 กรุงเทพฯ 10240
 โทร: 02 530 1714, 02 932 1711 มือถือ 086 360 8600
 อีเมล : contact@prctech.net
 LINE ID1 : prctec-info, LINE ID2 : prctec-center