

SWS-73

- ▣ meter in a small case
- ▣ no analog input
- ▣ two-coloured display (4-digits)
- ▣ RS-485 / Modbus RTU (SLAVE)

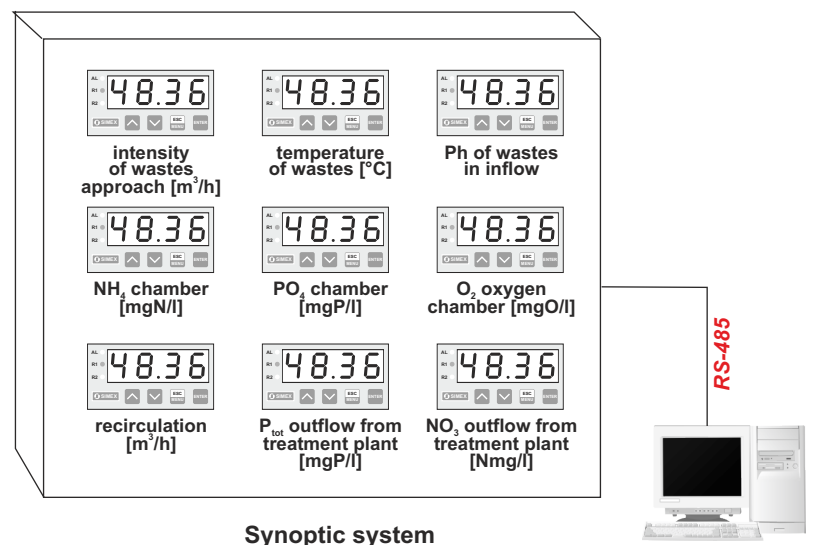


The **SWS-73** indicator is intended for displaying the measurement data sent from the master device over the RS-485 link (Modbus RTU protocol). The display brightness can be adjusted in 8 steps.

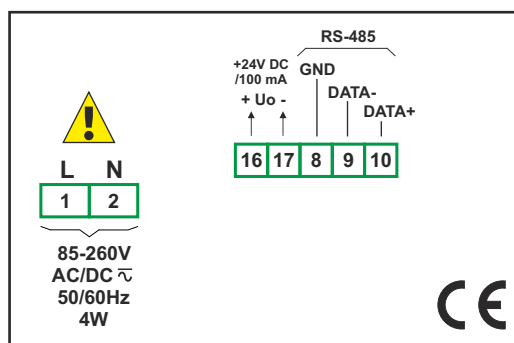
- two-coloured display for IP 40 version,
- password protected,
- display brightness adjustable in 8 steps,
- transmission speed adjustable: 1200 ÷ 115200 bit/sek.
- available with AC and DC power supply versions.

Typical applications

1. Indication of current values of any parameters,
2. Application wherever there is a need for a quick view of many parameters, i.e. in a synoptic system.



Exemplary pin assignment



Technical data

Power supply: 19V ÷ 50V DC; 16V ÷ 35V AC or 85 ÷ 260V AC/DC, all separated
Power consumption: for 85 ÷ 260V AC/DC and 16V ÷ 35V AC power supply: max. 4,5 VA; 19V ÷ 50V DC power supply: max. 4,5 W
Display: LED, two-coloured (red-green), 4 x 13 mm (IP 40) - standard or LED, red, 6 x 9 mm (IP 65) - option + 3 LED diodes (red), with 8-step adjustment of brightness
Displayed values range: 4 digits (-999 ÷ 9999 plus decimal point) or 6 digits (-99999 ÷ 999999 plus decimal point) or any of character indication in range of 7-segments display
Power supply output: 24V DC +5%, -10% / max.100 mA, stabilized
Communication interface: RS-485 (Modbus RTU - SLAVE), not galvanically insulated
Transmission speed: adjustable in range from 1200 to 19200 bit/sek.
Transmission parameters: 8N1 and 8N2
Operating temperature: 0°C ÷ +50°C (standard), -20°C ÷ +50°C (option)
Storage temperature: -10°C ÷ +70°C (standard), -20°C ÷ +70°C (with option 08)
Protection class (depending on display size):
 6 x 9 mm display: IP 65 (front), available additional frame IP 65 for panel cut-out sealing; IP 20 (case and connection clips)
 4 x 13 mm display: IP 40 (front); IP 20 (case and connection clips)
Case: board
Case material: NORYL - GFN2SE1
Case dimensions: 72 x 36 x 97 mm
Panel cut-out dimensions: 66,5 x 32,5 mm
Installation depth: min. 102 mm
Board thickness: max. 5 mm

Ordering

SWS-73-0000-1-X-XX1

options:

- 00 : no options
- 01 : IP 65 frame (display 6 x 9 mm)
- 08 : operating temp. -20°C ÷ +50°C

power supply:

- 3 : 24V AC/DC
- 4 : 85V - 260V AC/DC