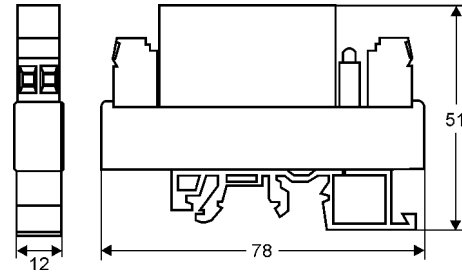


**Product information**

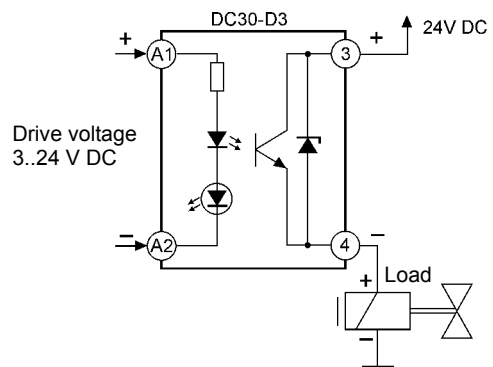
**Solid State Relay  
 DC30-D3**



**Dimensions**



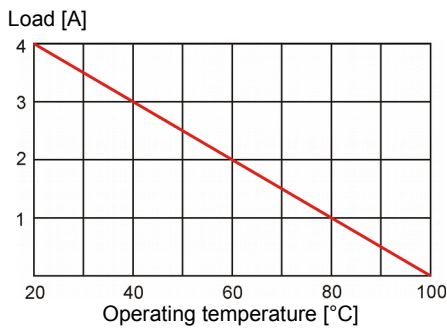
**Connection diagram**



**Technical data**

- DC-switching module for **inductive load**
- Load circuit max. 30 V DC / 3 A\*
- Peak current 1 sec 5A
- Voltage drop at max. load 1.5 V
- Leak current at off-mode 1 mA
- Fully 2-port isolation
- Drive circuit 3..24 V DC with LED indicator green
- Input resistance 1 kΩ
- DIN rail mounting TS35

**\* Derating**



**Ordering code**

**DC30-D3**      max. 30V DC , 3 A